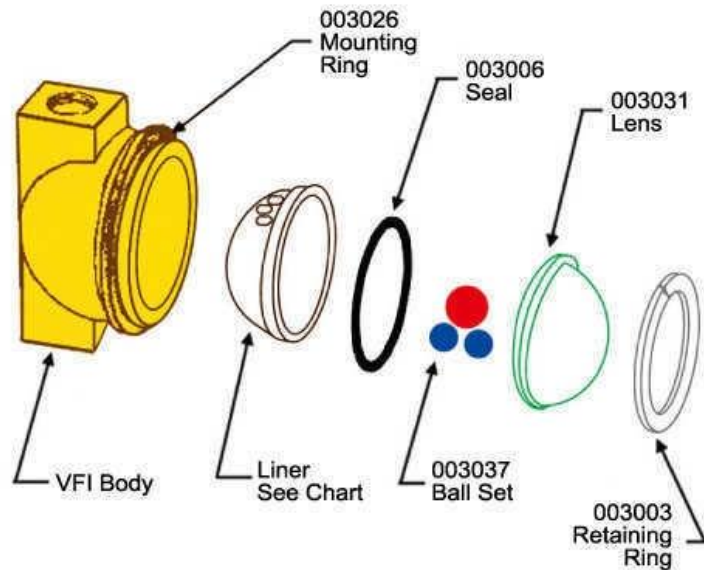


# MODEL 2030 YS VISUAL FLOW INDICATOR



## TO DISASSEMBLE

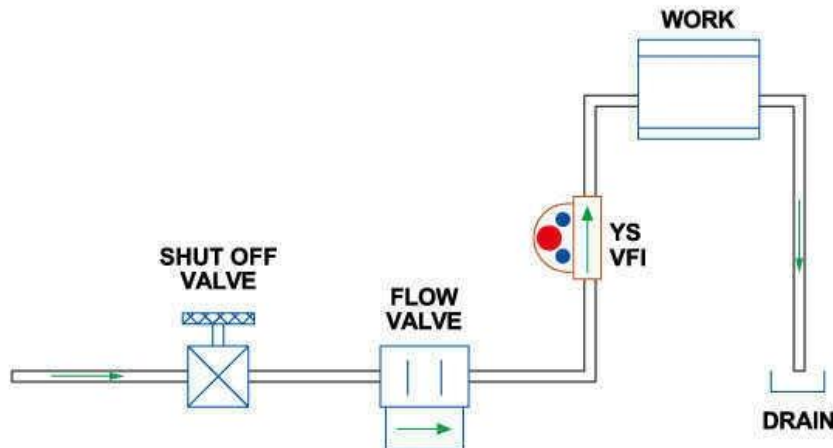
Snap out end of retaining ring #003003 and remove . This will permit removal of all components.

## TO REASSEMBLE

Lubricate the "O" ring seal with light mineral oil and set the retaining ring (#003003) to full depth of groove

## TO INSTALL:

Mount between valve and work with arrow pointing up.



**CHART A**

SIZE	ASSY NO
3/8"PT	921013
1/2"PT	921014
1/2"PT	950914
3/4"PT	950916

**MADE IN TAIWAN**